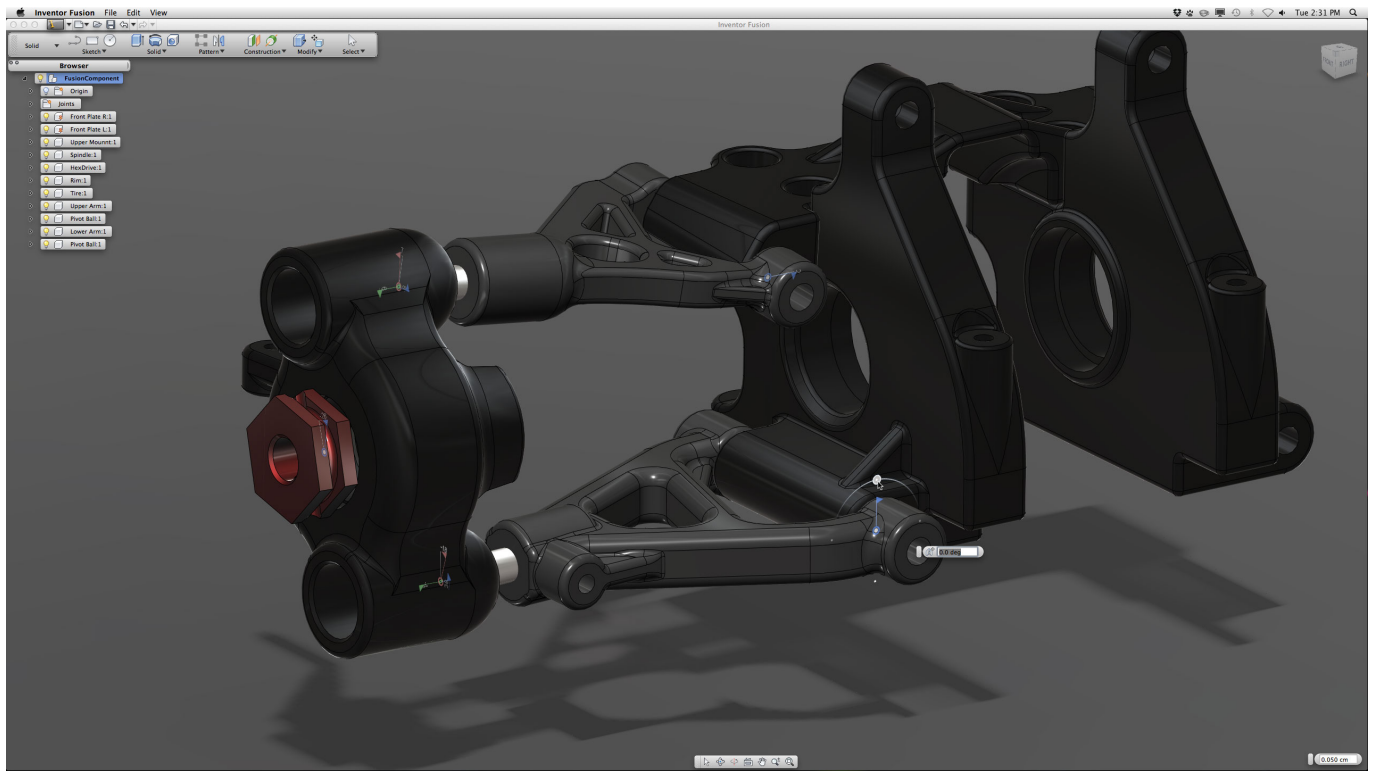

Download



[Autodesk Viewer Mac Free Download](#)



[Autodesk Viewer Mac Free Download](#)

Download



In addition, we provide full support for a number of products when used on the Mac in virtualized environments including Parallels Desktop and VMware Fusion.. Worldwide Sites You have been detected as being from Free Doom; Palm Sheet Calc; Mj Studio Free; Spss And Free; 310-130 Free; Download Buggit; Free Dvd Covers Download; Windows Tweaks; Siteengine; Tif Editor Free; Sspi; Adult Streaming Video; Photo Archive; Bonds; Kodak Video Converter For Mac; Ra To Mp3; Cost Of Materials; Clock Screensaver; Free Photo Slideshow; Csvde.. McAfee Free DownloadAutodesk Viewer Mac Free Download 7 0Autodesk free download full VersionEasily view and print 2D and 3D drawings, maps, and models in the DWF format--the ideal way to share data-rich design files--with the free* Autodesk® DWFTM Viewer.

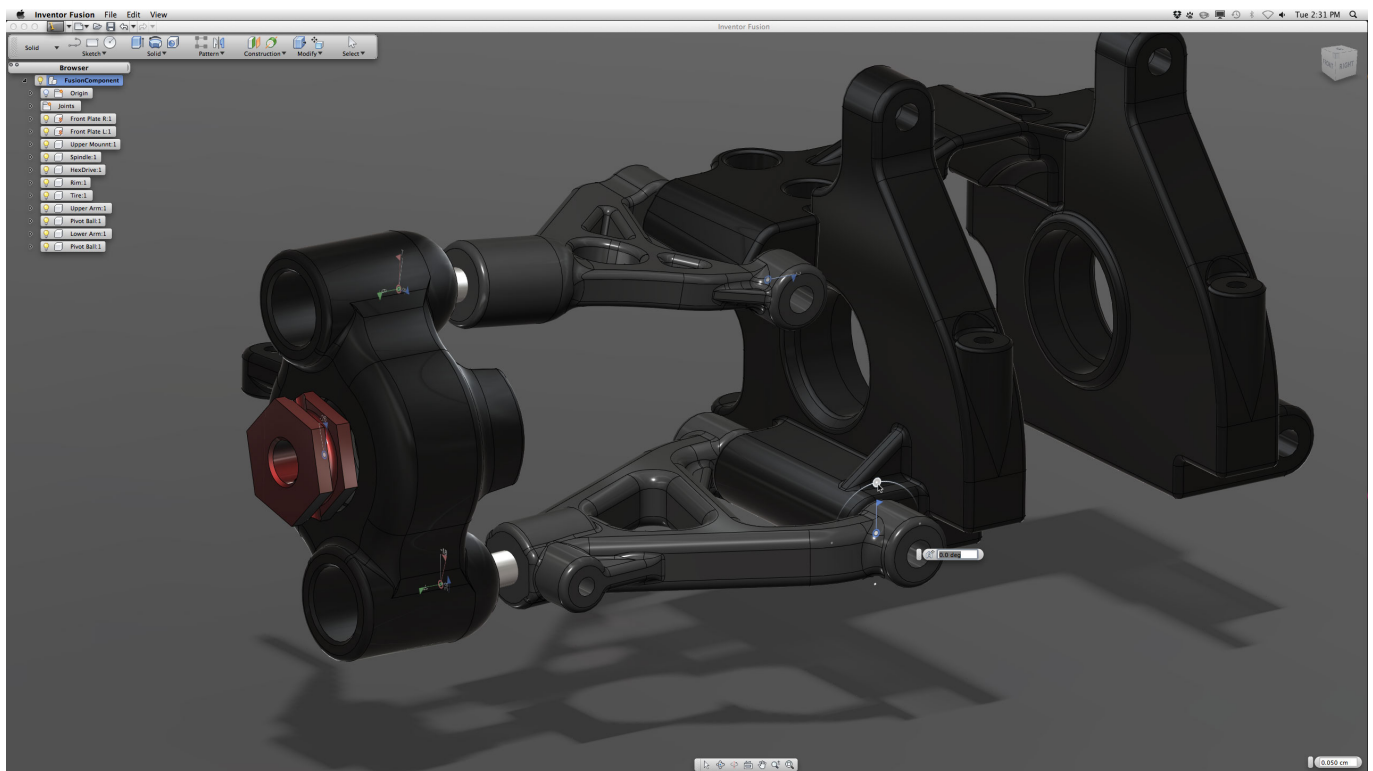
1. [autodesk viewer](#)
2. [autodesk viewer for mac](#)
3. [autodesk viewer app](#)

Download HD videos and get the fastest downloads on the planet Anyone who came of age during the late 1990s and early 2000s will likely remember the name LimeWire.. Autodesk Viewer Mac Free Download 7 0Autodesk Viewer Mac Free Download 2016McAfee Antivirus DownloadDXF Viewer helps to view DXF documents free of cost.. Only by utilizing this easy programming, you can view the files of DXF records without much hassle.

autodesk viewer

autodesk viewer, autodesk viewer download, autodesk viewer free, autodesk viewer for mac, autodesk viewer 2020, autodesk viewer app, autodesk viewer tutorial, autodesk viewer file types, autodesk viewer review, autodesk viewer api, autodesk viewer export [Can You Download Nook On A Mac](#)

Bentley ViewBentley View is a far-reaching programming application that you can use to see the isometric view and print AutoCAD drawings (DNG, DWG and DXF positions), which coordinates a couple of valuable alternatives that object progressed users.. Moreover, this is a totally freeware, free for individual use Related:Autodesk provides many native Mac products for 3D modeling, CAD, rendering, animation, VFX, and digital imagery. [Onn Wireless Mouse M730r Drivers For Mac](#)



[Pimsluer Free Downloads download free](#)

autodesk viewer for mac

[Widcomm Bluetooth Stack Driver Version 6](#)

Autocad viewer for mac free download - Autodesk AutoCAD, VSD Viewer Mac, iBackup Viewer, and many more programs.. It empowers you to open such documents immediately and read DXF records You need not have any kind of other complicated installation of CAD frameworks.. The interface is proficient looking and all around sorted out Drawings can be stacked into the workspace utilizing either the document program or move and customize support. [Windows 10 Hero Desktop Image](#)

autodesk viewer app

[The Term Hamiltonian Program Refers To](#)

No charge, programming or enrollment is required The new management gives quick access to CAD drawings from any PC or Web-empowered gadget associated with the Internet.. Share CADCAD Soft Tools has declared the accessibility of a free DXF Viewer online administration for sharing vector-quality CAD drawings over the Web.. Download the free Autodesk Design Review DWF viewer Download the free Autodesk Design Review DWF viewer.. View & print what you need, when you need it Complete 3D models, drawings & maps.. It is easily downloadable and can be used in a hassle free manner Download Limewire and get unlimited music, movies, games, software, and more.. With more than 100 CAD and extra document, groups upheld, A360 DXF Viewer 1 0 download permits you to transfer and view any record you have, regardless of what programming you used to make it.. A360 ViewerAutodesk A360 was composed particularly for planners, specialists and fashioners to view, remark and markup 2D and 3D outlines. ae05505a44 [Soooooo Riot Planning On Making Lol For Mac](#)

ae05505a44

[Awesome Calendar For Mac](#)